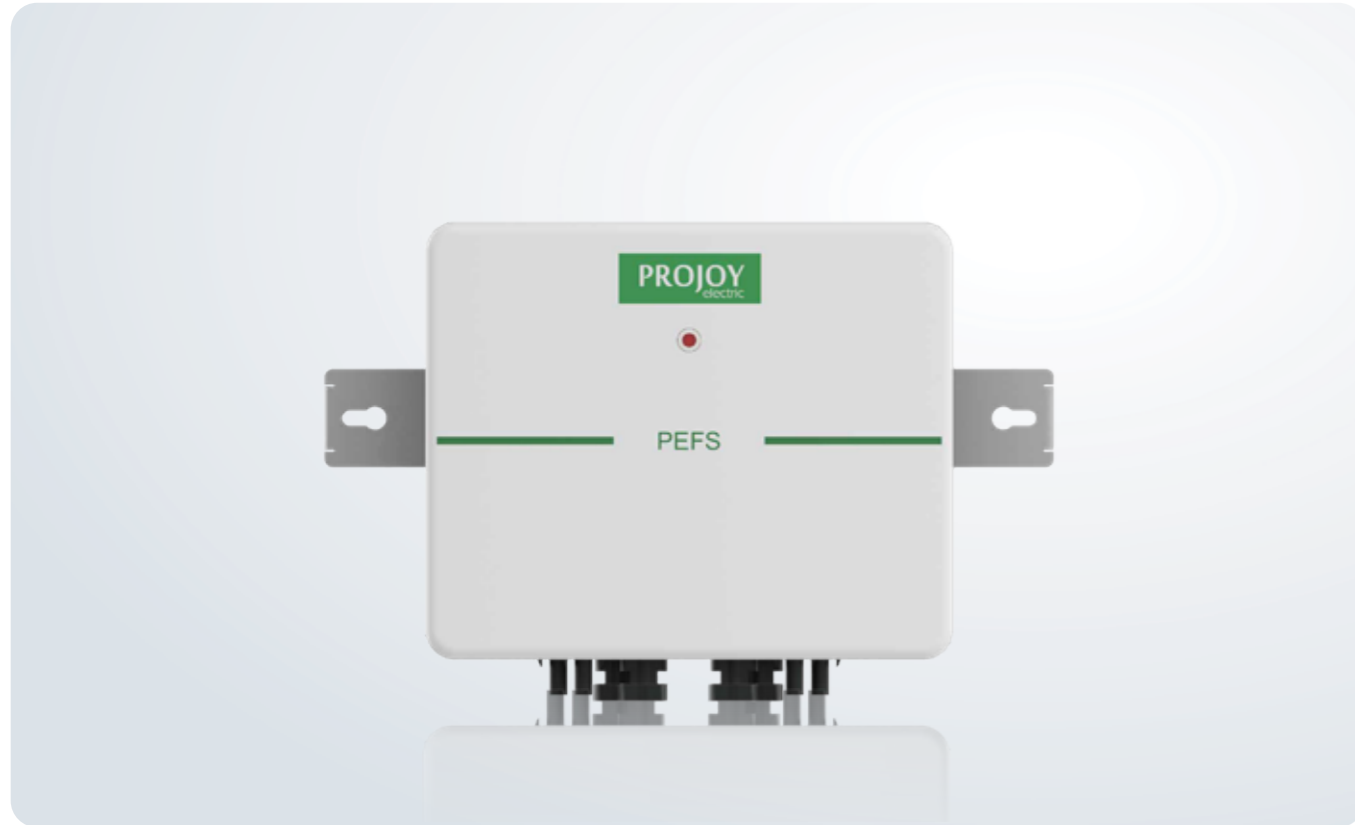


# PEFS Series Rapid Shutdown (1-2 strings)-P2



## High Craftsmanship and Standards



Small volume



Flame retardant material



Anti-UV



Outdoor installation IP66



Easy to install



Service life 25 years



High reliability



OV output physical isolation

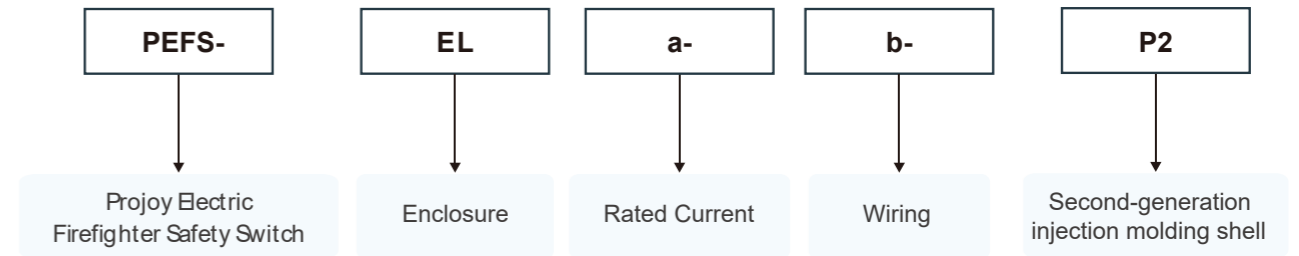


Multiple shutdown methods over temperature/loss of pressure /emergency shutdown

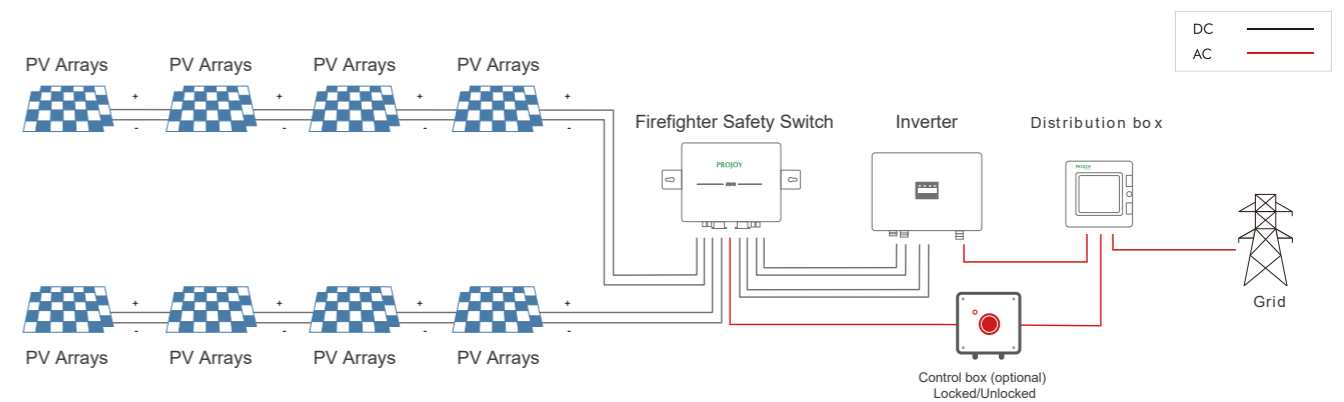


FB1 FB2 function achieves external monitoring

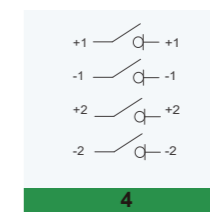
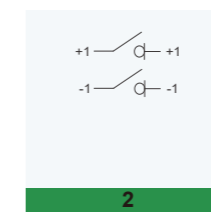
## Select Code



## Diagram

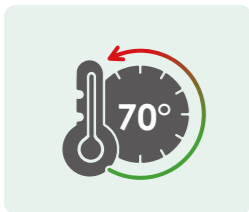


## Contact Configuration



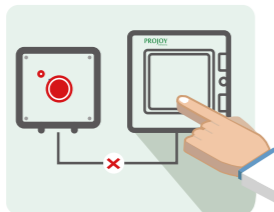
## Shutdown Mode

### Automatic Shutdown



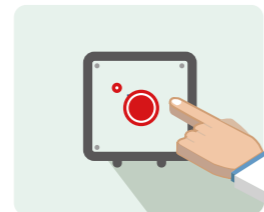
Automatically shutdown the DC power of panels when detecting temperature of the area is higher than 70°C.

### AC Power Shutdown



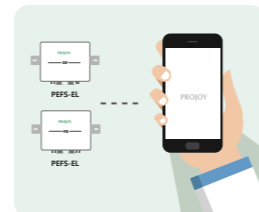
Firefighters or homeowners can manually turn off the AC power of the distribution box when in an emergency or it can automatic shutdown when the AC power has lose.

### Manual Shutdown



In an emergency, it can be shut down manually through the Panel Level Rapid Shutdown Controller Box.

### RS485 shutdown Optional



Maintenancers or homeowners can also remotely shutdown through RS485 communication (Optional).

## Technical data

Technical Parameter	
<b>Main Parameters</b>	<b>PEFS-P2</b>
String voltages (Vdc)	300~1500
String current (A)	3~55
Number of strings	1/2
Switch wiring	2/4
Operating voltage	100Vac - 270Vac
Nominal voltage	230Vac
Nominal current	30mA
Start up (loading) current	average 100mA
Switch on action current	max 300mA
FB1 FB2 function (Standard configuration)	contact capacity: 250VAC,16A
Operating temperature range	-40°C - +70°C
Max. operating temperature before automatic switch off	+70°C
Storage temperature range	-40°C - +85°C
Protection degree	IP66
Protection level	Class II
Certification	CE
DC Switch disconnect according to	EN 60947-1&3
Number of operations	10000
Number of operations under load (PV1)	>1500

Data of PEFS refer to built-in DC isolators.

Data according to IEC60947-3(ed.3.2):2015, UL508i. Utilization category DC-PV1.

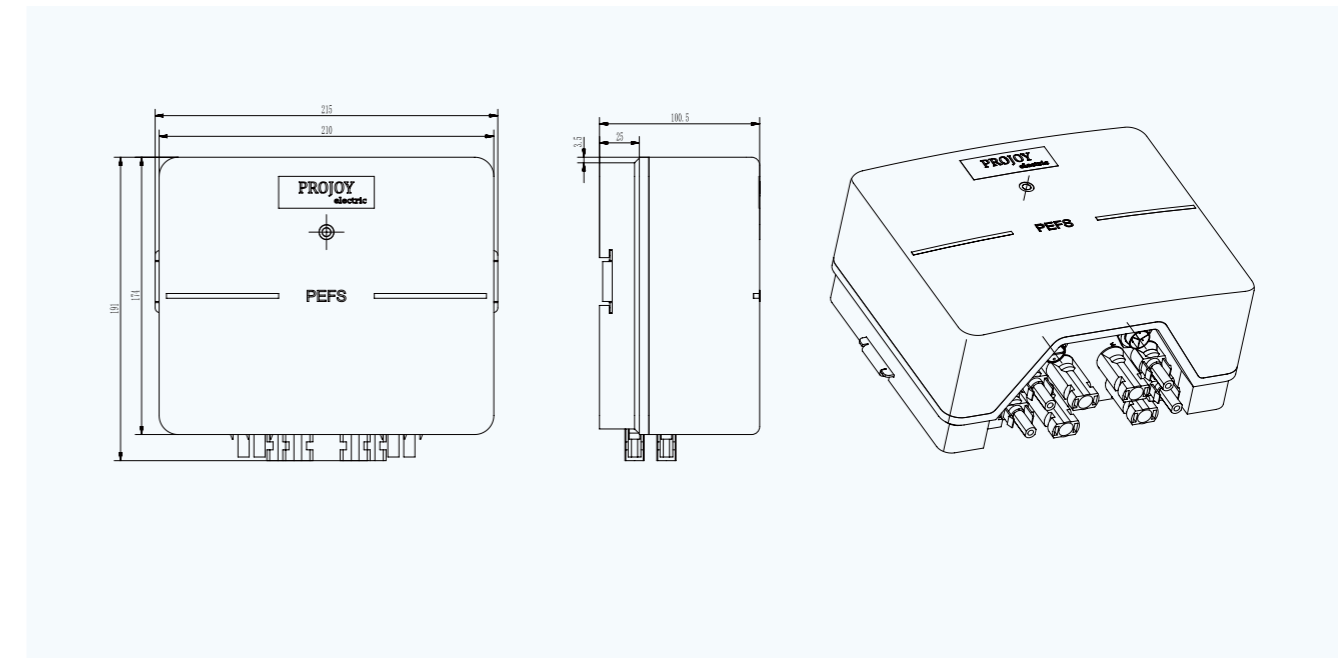
300V	600V	800V	1000V	1200V	1500V	Poles	No. of Strings	Part Number
16	16	16	9	6	3	2/4	1/2	PEFS-EL16-2/4-P2
25	25	22	11	8	4	2/4	1/2	PEFS-EL25-2/4-P2
32	32	26	13	10	5	2/4	1/2	PEFS-EL32-2/4-P2
40	40	30	20	15	13	2/4	1/2	PEFS-EL40-2/4-P2
55	55	45	33	33	18	2/4	1/2	PEFS-EL55-2/4-P2
40	40	40	40	30	20	2/4	1/2	PEFS-EL40H-2/4-P2
50	50	50	50	40	30	2/4	1/2	PEFS-EL50H-2/4-P2

## Dimensions of PEFS

### PEFS-P2 (1-2 String)

### Dimensions

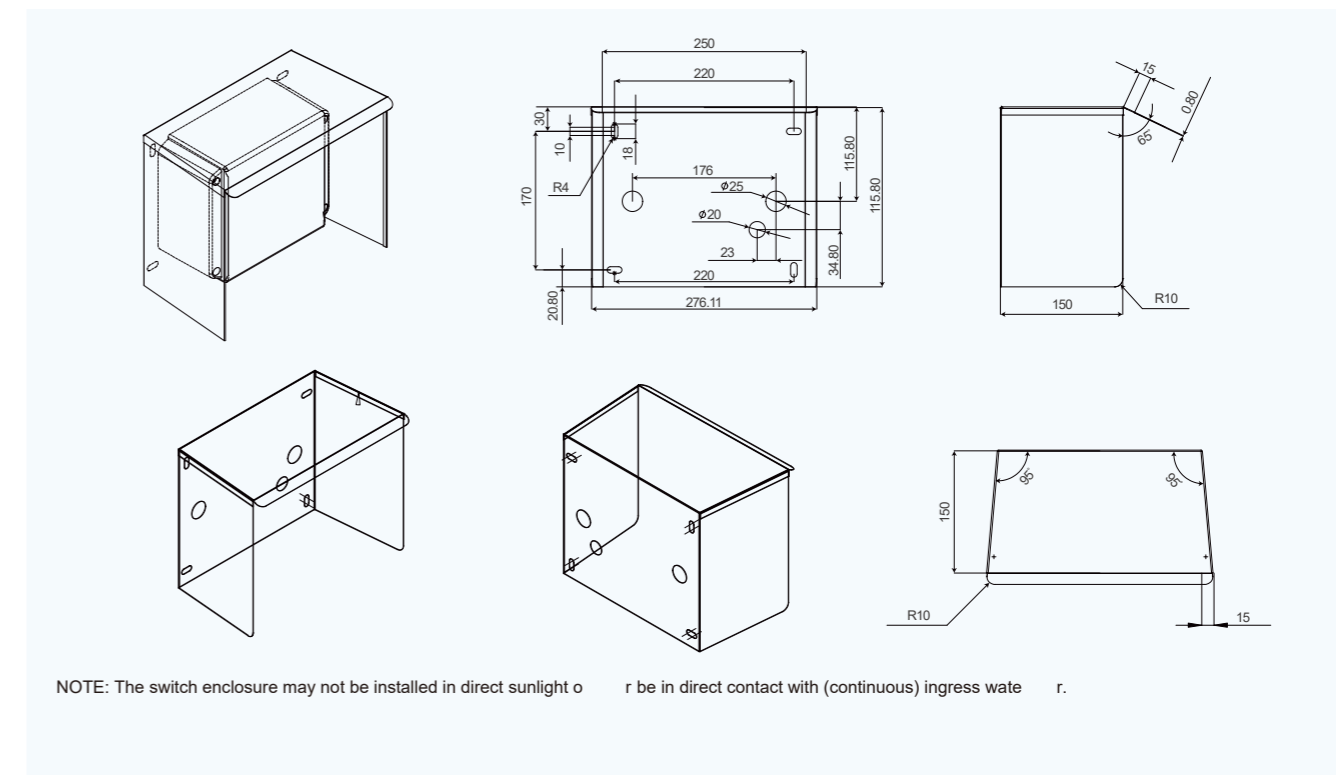
Unit: mm



## Dimensions of PEFS

### PEFS-P2 (1-2 String)

### Dimensions



NOTE: The switch enclosure may not be installed in direct sunlight or be in direct contact with (continuous) ingress water.